



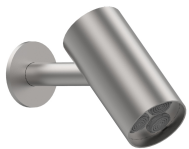
Modern - Showerhead with hand shower

Codice kit: 3405 SDI-130

Shower head SPOT and built-in mixer – 1 exit



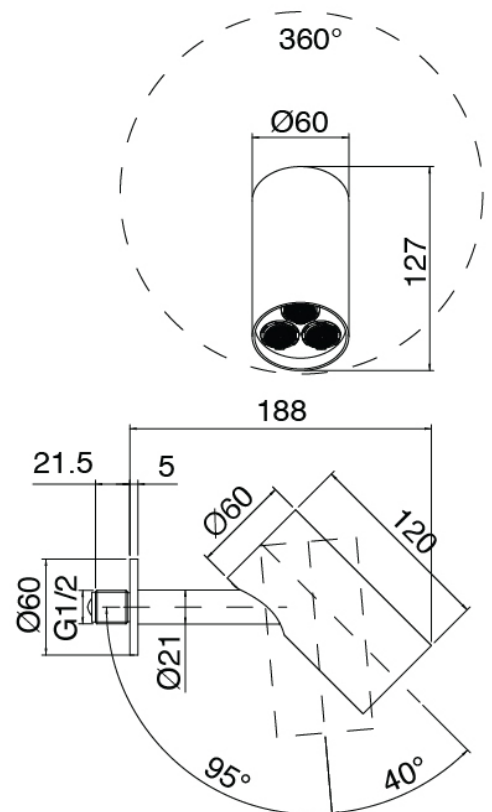
Componenti



Shower head SPOT

Cod: 3400SO01A00

Adjustable wall-mounted showerhead SPOT

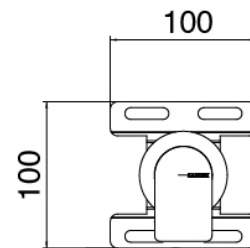
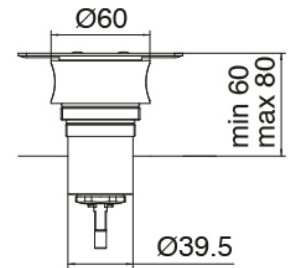
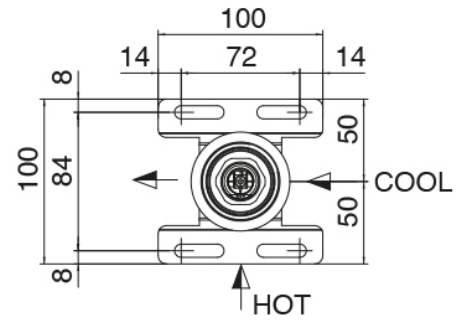




Concealed part

Cod: 3300B402A00

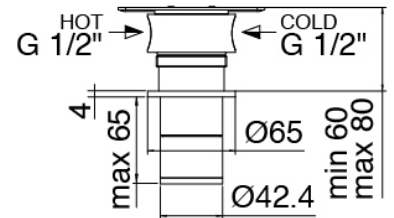
Concealed shower mixer - concealed part



Single-lever mixer

Cod: 3305A402AA0

Concealed shower mixer - without plate - external part

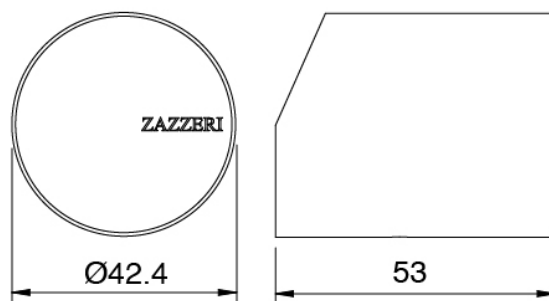




Handle MA02 Z316_sh

Cod: 3305MA02A00

HANDLE MA02 Handle for built-in parts



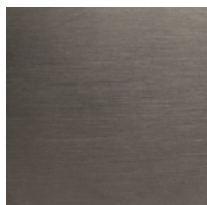
Finiture disponibili:

finiture speciali su richiesta salvo quantitativi minimi di ordine garantiti



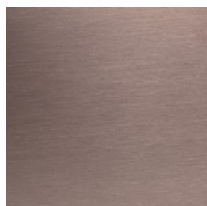
brush steel

ASAS



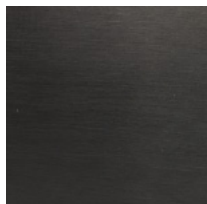
antracite

APAP



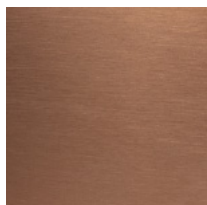
bronzorame

BPBP



carbon

KPKP



rame

RPRP



cognac

CPCP



orobianco

GPGP