

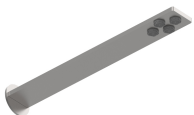
Modern - Built-in thermostatic shower set

Codice kit: 3405 UDI-140

Concealed thermostatic shower mixer with showerhead STECCA (Q.ty 2) and handshower

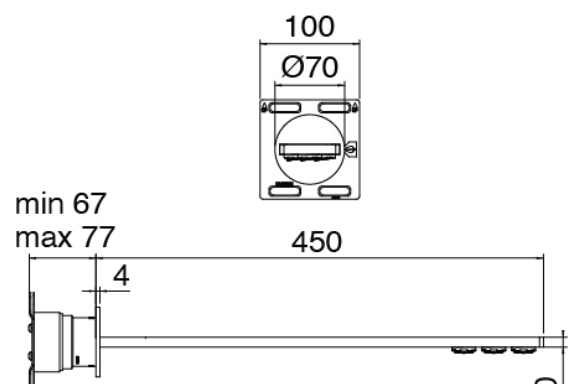


Componenti



Shower head

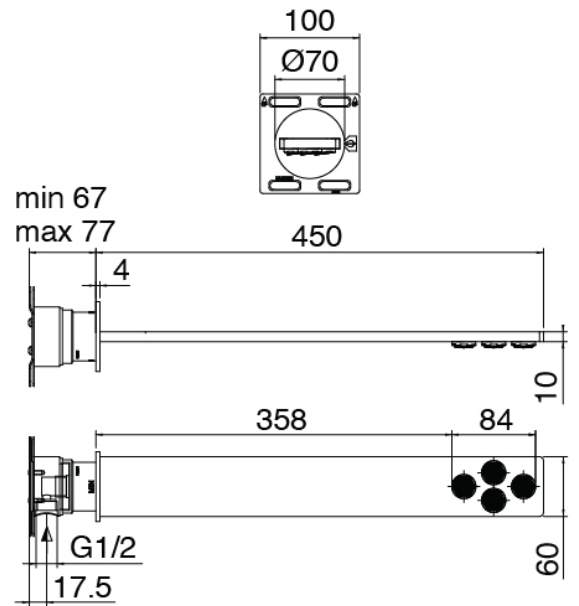
Cod: 3400SO02A00



Concealed part

Cod: 3300B121A00

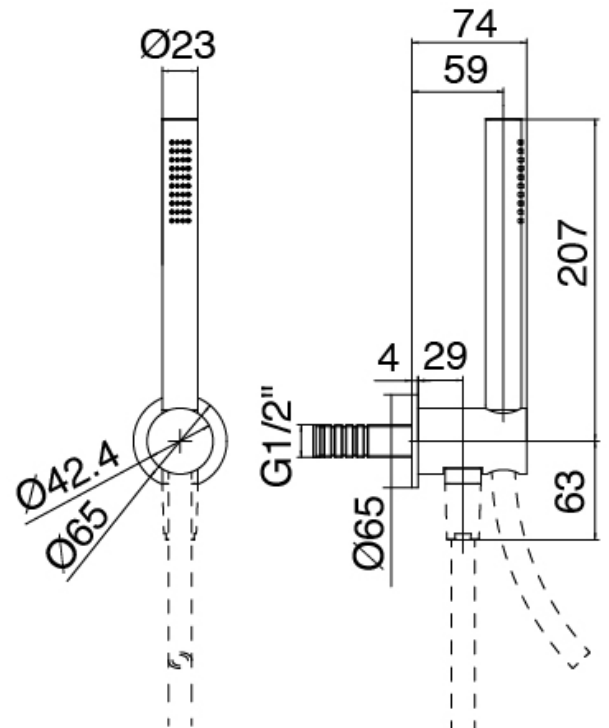
Wall-mounted showerhead - Built-in part



Handshower set

Cod: 3300Z419A00

Handshower set with handshower - water outlet and holder - without flexible

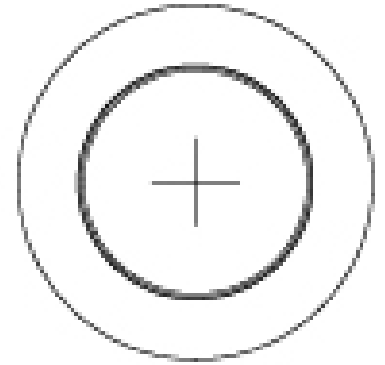
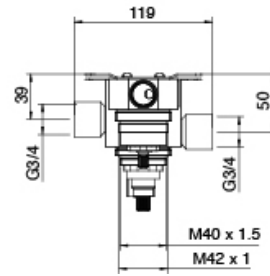
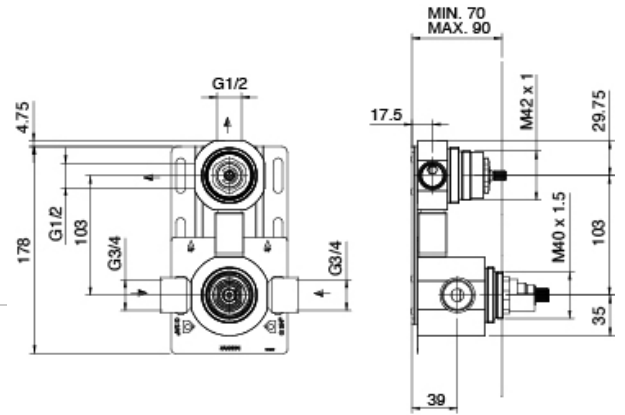




Concealed part

Cod: 3300D802A00

2-way concealed Smart thermostatic mixer (1 diverter with Stop) - concealed parts



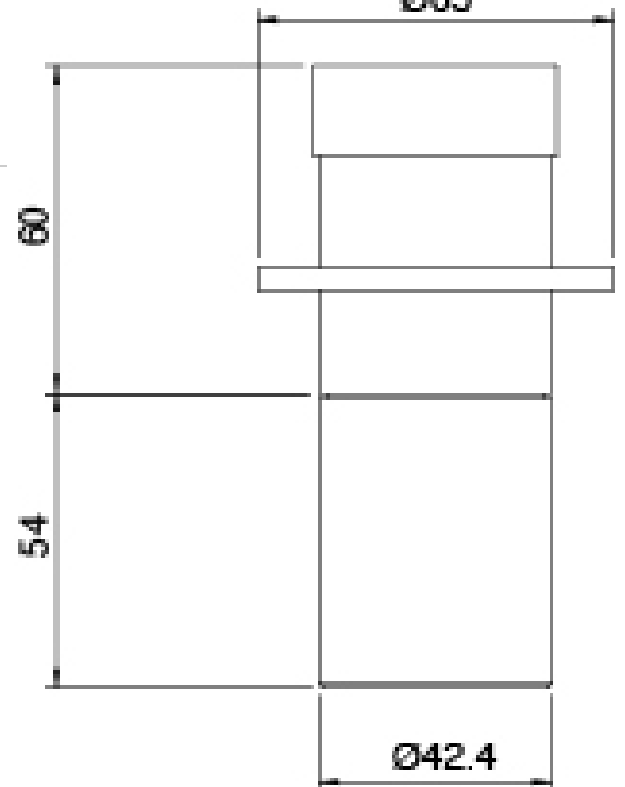
Ø85



Diverter

Cod: 3305Y408AA0

Diverter - External part

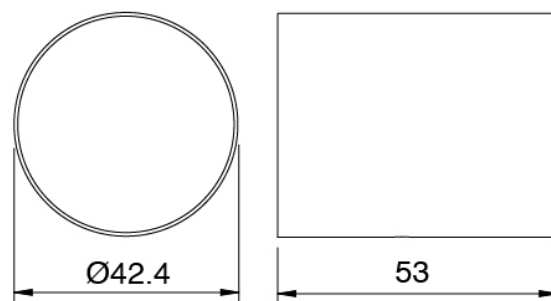




Handle

Cod: 3305MA05A00

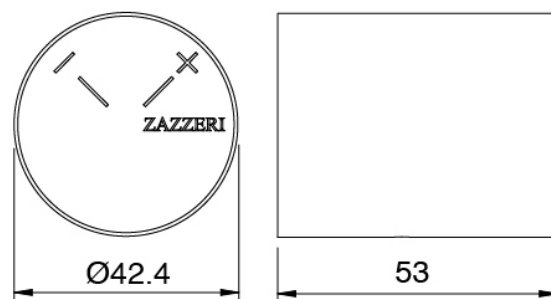
HANDLE MA05 Handle for 2/3 ways diverter/valve



Handle

Cod: 3305MA06A00

HANDLE MA06 Handle for thermostatic unit



Flexible L=150mm

Cod: 3300N504A00

PVC flexible pipe for handshower - Black - L 1,5m

Finiture disponibili:

finiture speciali su richiesta salvo quantitativi minimi di ordine garantiti



brush steel

ASAS



antracite

APAP



bronzorame

BPBP



carbon

KPKP



rame

RPRP



cognac

CPCP



orobianco

GPGP