

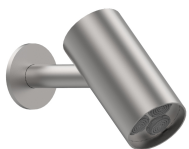
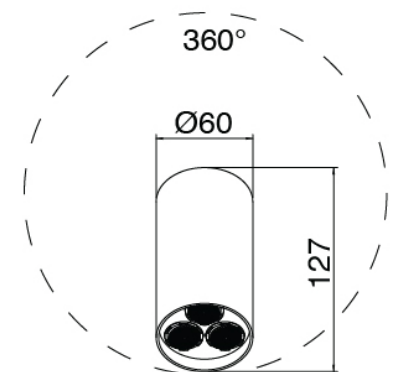
Modern - Built-in thermostatic shower set

Codice kit: 3405 UDI-150

Concealed thermostatic shower mixer – 4 exits with showerhead SPOT (Q.ty 2)
and handshower (Q.ty 2)



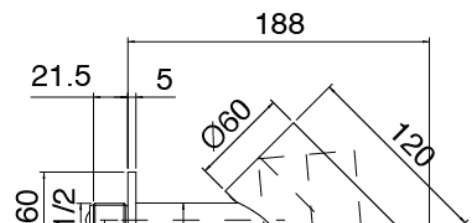
Componenti



Shower head SPOT

Cod: 3400SO01A00

Adjustable wall-mounted showerhead SPOT

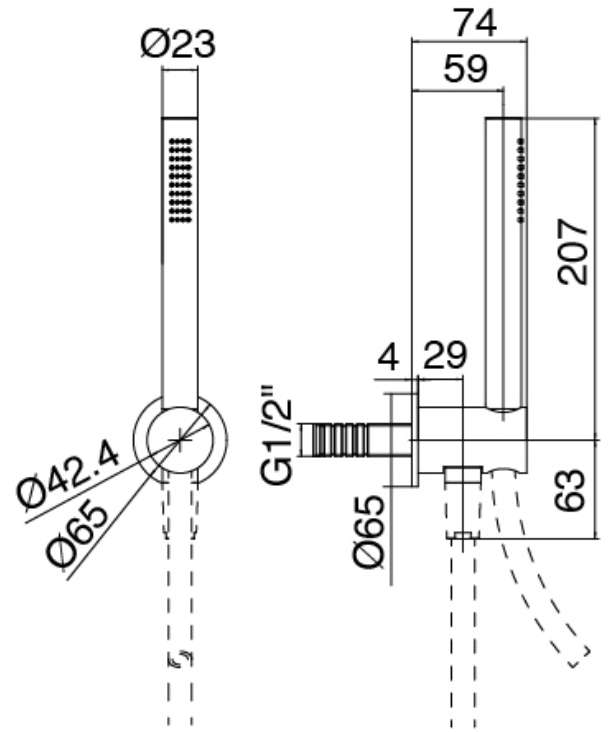




Handshower set

Cod: 3300Z419A00

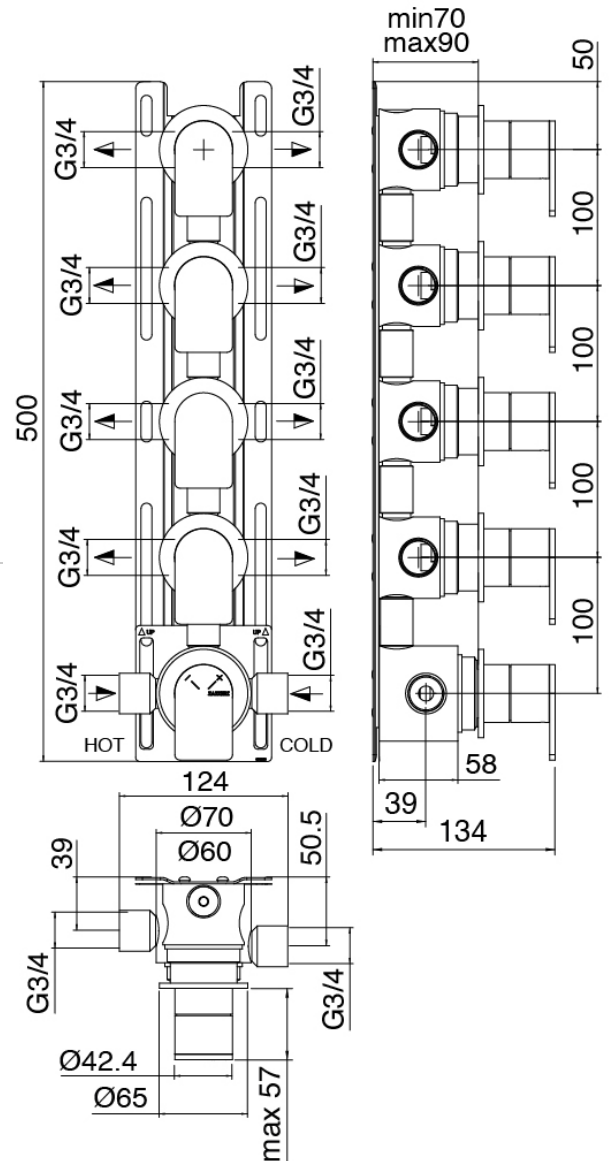
Handshower set with handshower - water outlet and holder - without flexible



Concealed part

Cod: 33000804A00

4-way concealed thermostatic mixer - concealed parts

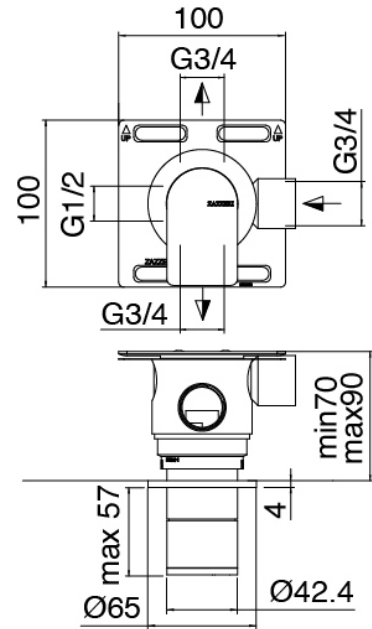




In-line concealed valves

Cod: 3305Y407AA0

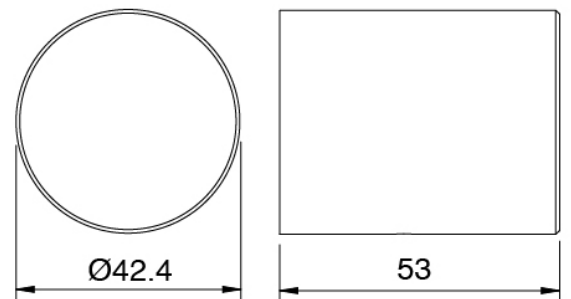
In-line concealed valves - external parts



Handle

Cod: 3305MA05A00

HANDLE MA05 Handle for 2/3 ways diverter/valve

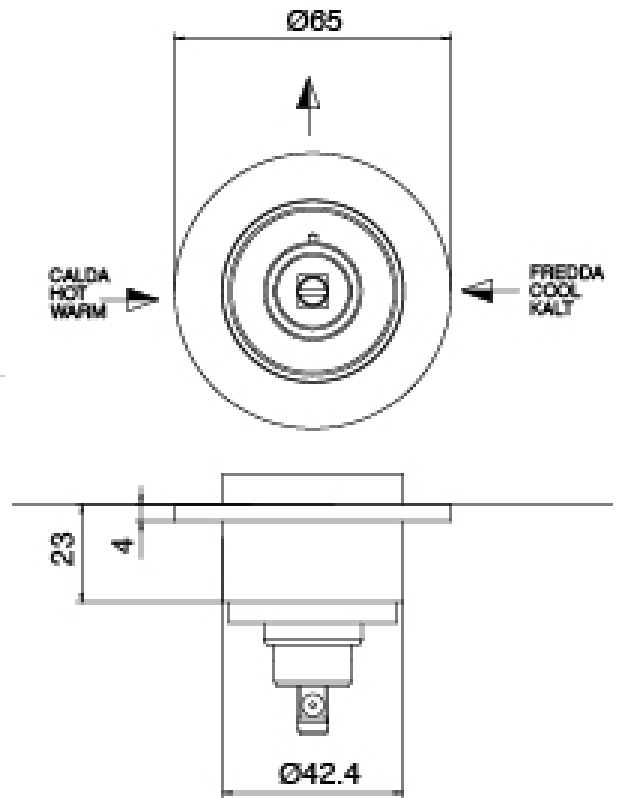




Thermostatic control

Cod: 3305T550AA0

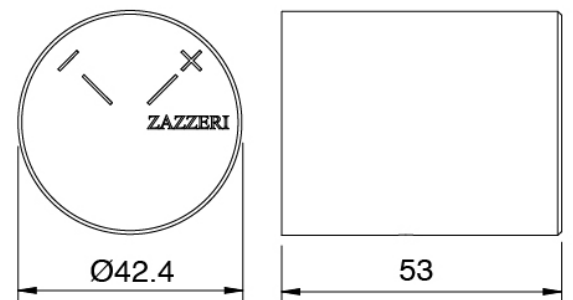
Concealed thermostatic mixer - external parts



Handle

Cod: 3305MA06A00

HANDLE MA06 Handle for thermostatic unit



Flexible L=150mm

Cod: 3300N504A00

PVC flexible pipe for handshower - Black - L 1,5m

Finiture disponibili:

finiture speciali su richiesta salvo quantitativi minimi di ordine garantiti



brush steel

ASAS



antracite

APAP



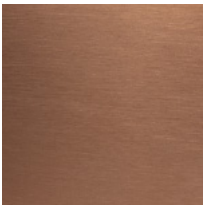
bronzorame

BPBP



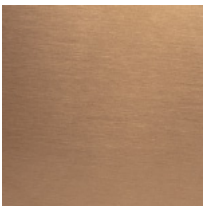
carbon

KPKP



rame

RPRP



cognac

CPCP



orobianco

GPGP