

Modern - Built-in shower set

Codice kit: 3305 UDI-140

Concealed shower mixer with horizontal tubular revolving showerhead



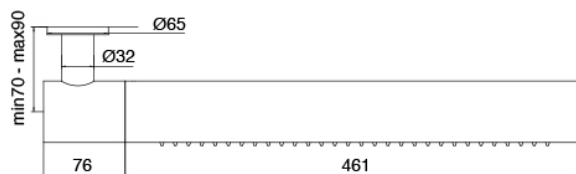
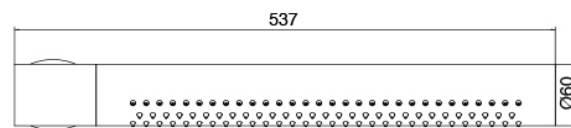
Componenti

Revolving showerhead



Cod: 3300SO04A00

Horizontal tubular revolving wall-mounted showerhead

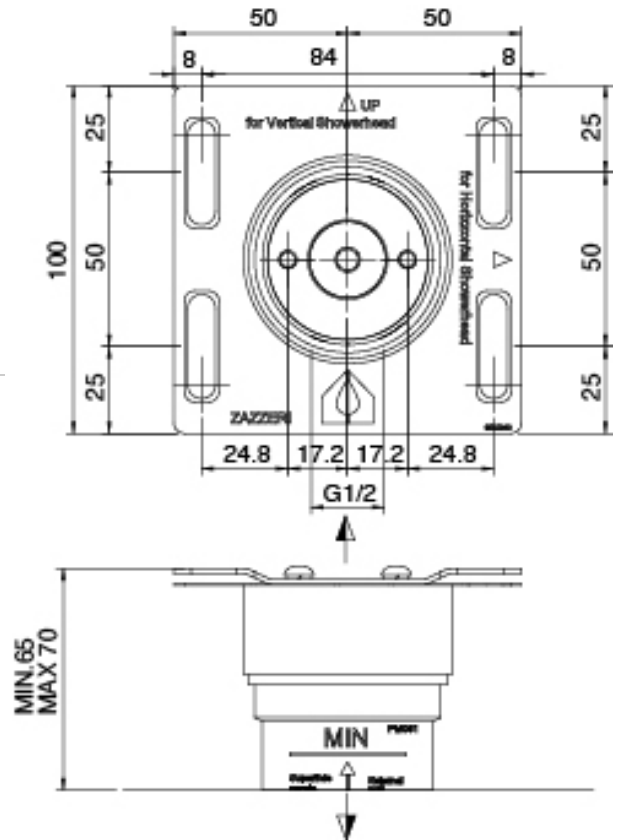




Concealed part

Cod: 3300B120A00

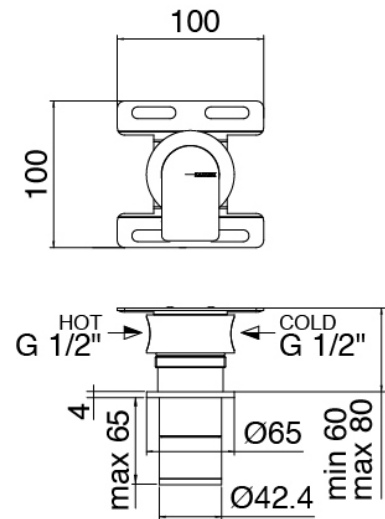
Vertical/Horizontal tubular wall-mounted showerhead - Built-in part



Single-lever mixer

Cod: 3305A402AA0

Concealed shower mixer - without plate - external part

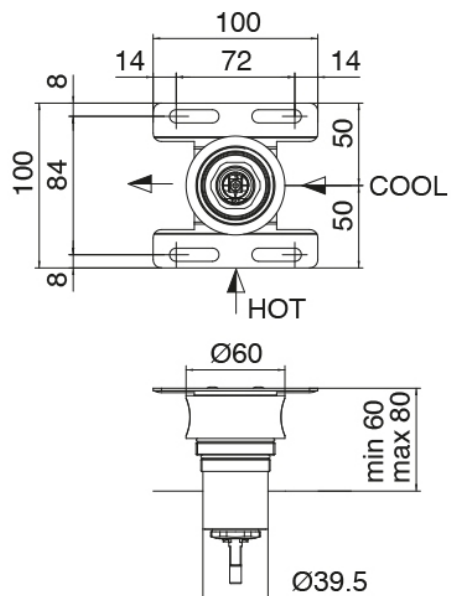




Concealed part

Cod: 3300B402A00

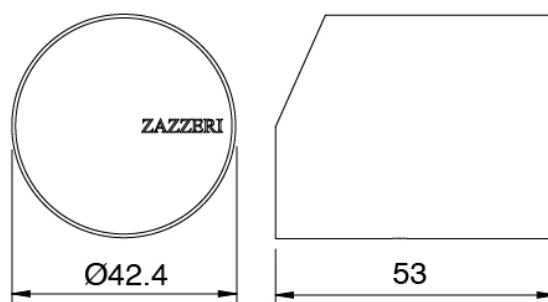
Concealed shower mixer - concealed part



Handle MA02 Z316_sh

Cod: 3305MA02A00

HANDLE MA02 Handle for built-in parts



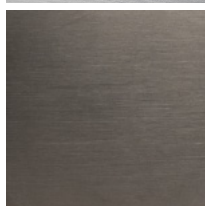
Finiture disponibili:

finiture speciali su richiesta salvo quantitativi minimi di ordine garantiti



brush steel

ASAS



antracite

APAP



bronzorame

BPBP



carbon

KPKP



rame

RPRP



cognac

CPCP



orobianco

GP GP