

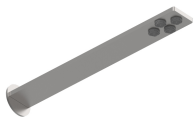
Q316 - Built-in thermostatic shower set

Codice kit: 3400 UDI-140

Concealed thermostatic shower mixer with showerhead STECCA (Q.ty 2) and handshower



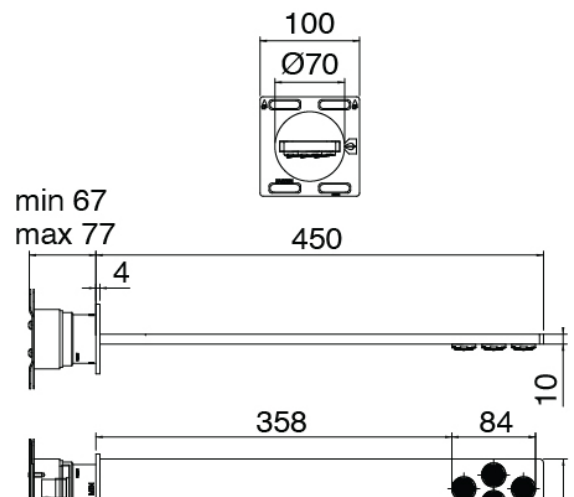
Componenti



Shower head

Cod: 3400SO02A00

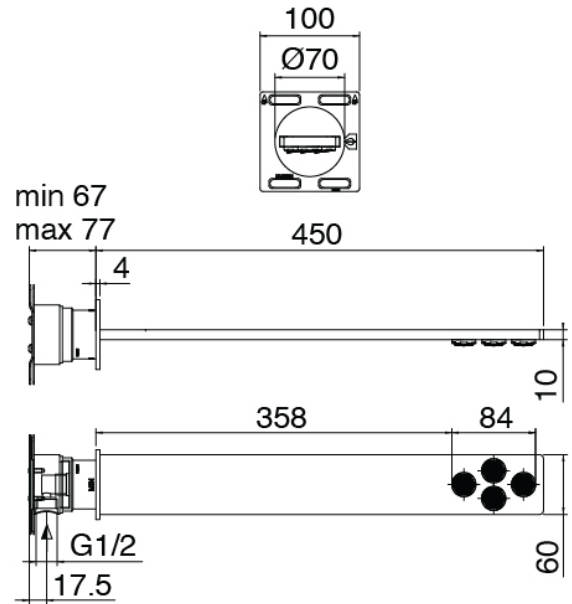
Wall-mounted showerhead STECCA



Concealed part

Cod: 3300B121A00

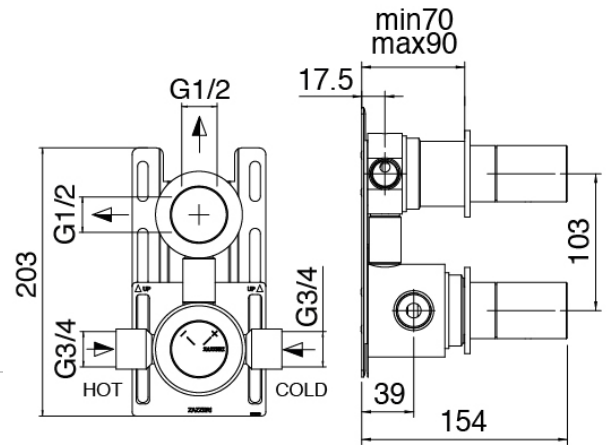
Wall-mounted showerhead - Built-in part



Handshower set

Cod: 3300Z419A00

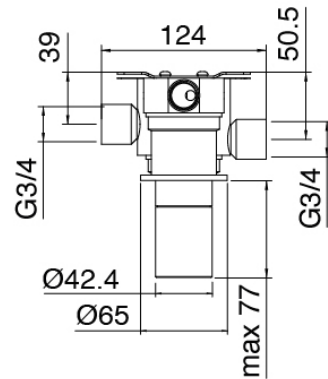
Handshower set with handshower water outlet and holder - without flexible



Concealed part

Cod: 3300D802A00

2-way concealed Smart thermostatic mixer (1 diverter with Stop) - concealed parts





Diverter

Cod: 3305Y408AA0

Diverter - External part



Handle

Cod: 3400MA05A00

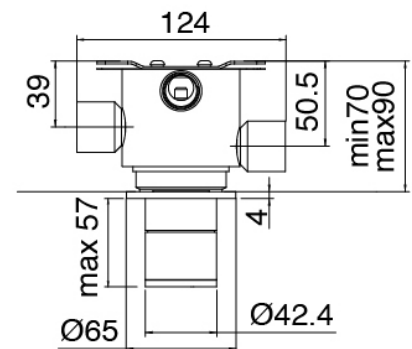
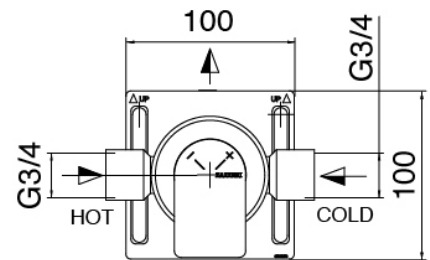
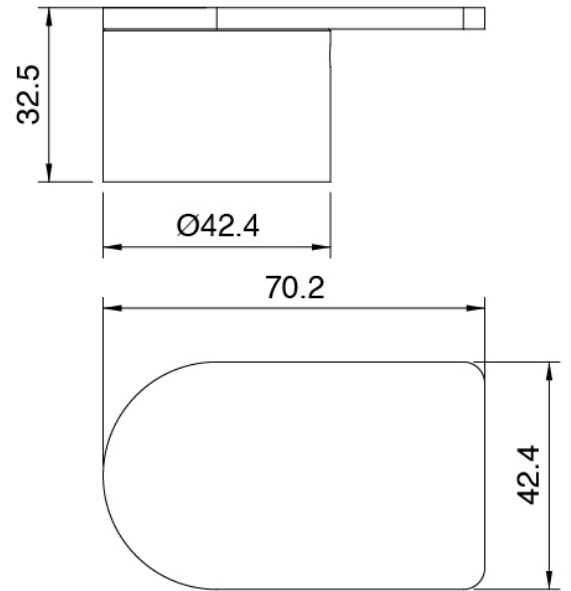
HANDLE MA05 Handle for 2/3 ways diverter/valve



Thermostatic control

Cod: 3305T550AA0

Concealed thermostatic mixer - external parts

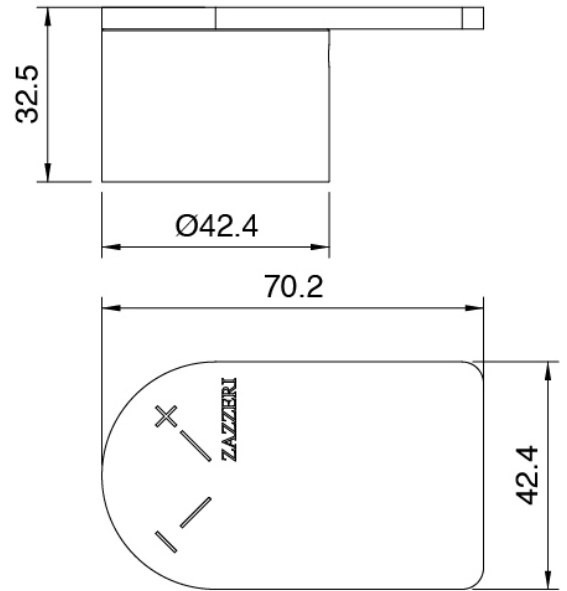




Handle

Cod: 3400MA06A00

HANDLE MA06 Handle for thermostatic unit



Flexible L=150mm

Cod: 3300N504A00

PVC flexible pipe for handshower - Black - L 1,5m

Finiture disponibili:

finiture speciali su richiesta salvo quantitativi minimi di ordine garantiti



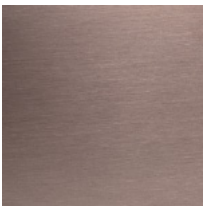
brush steel

ASAS



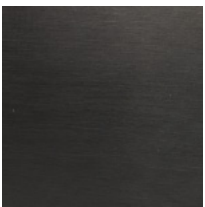
antracite

APAP



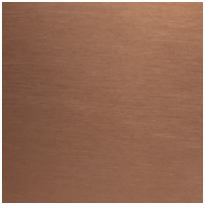
bronzorame

BPBP



carbon

KPKP



rame

RPRP



cognac

CPCP



orobianco

GPGP